

COLORS:

BLUE - "A" KEYPAD

YELLOW - "B" KEYPAD

GREEN - "C" KEYPAD, "D", "D" KEYPAD BORDER

GRAY - BOTTOM LEFT KEYPAD, "B"

RED - SSI LOGO, LINE WITH DOTS LEFT OF TEXT

BLACK - BACKGROUND, "D" KEYPAD, "A"- "B"- "C" SHADOWS, EMBOSSED LINES IN GRAY KEYPAD

DEADFRONT - "Visit us at: ssi_electronics.com"

WHITE - REMAINING TEXT AND LINES

ENTIRE SURFACE TO BE TEXTURED

NOTES:

GRAPHIC MAT'L: .008" AUTOTEX POLYESTER

BACKER ADHESIVE: 3M 468MP

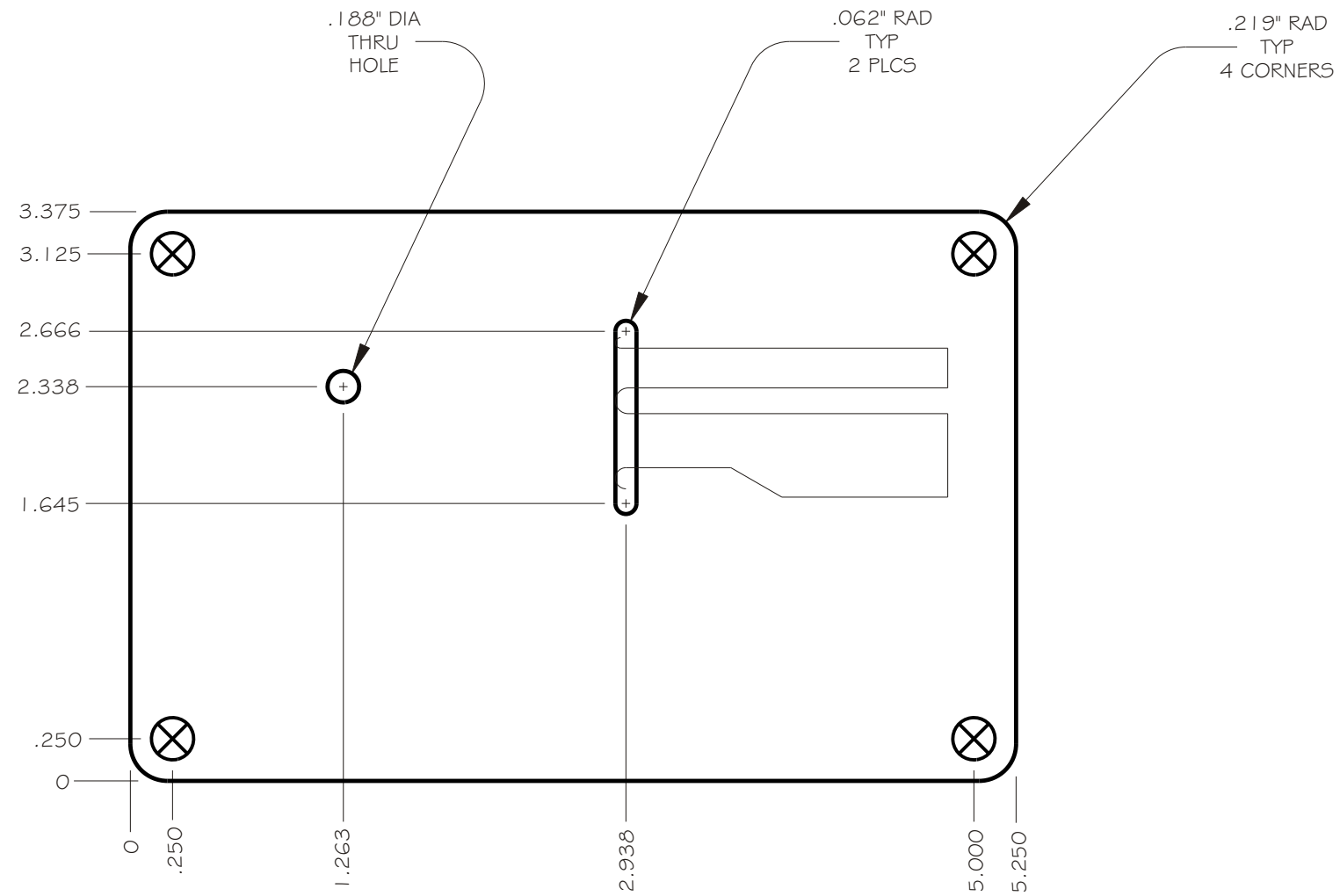
KEYS TO HAVE TACTILE FEEDBACK

100 OHMS MAXIMUM LOOP RESISTANCE

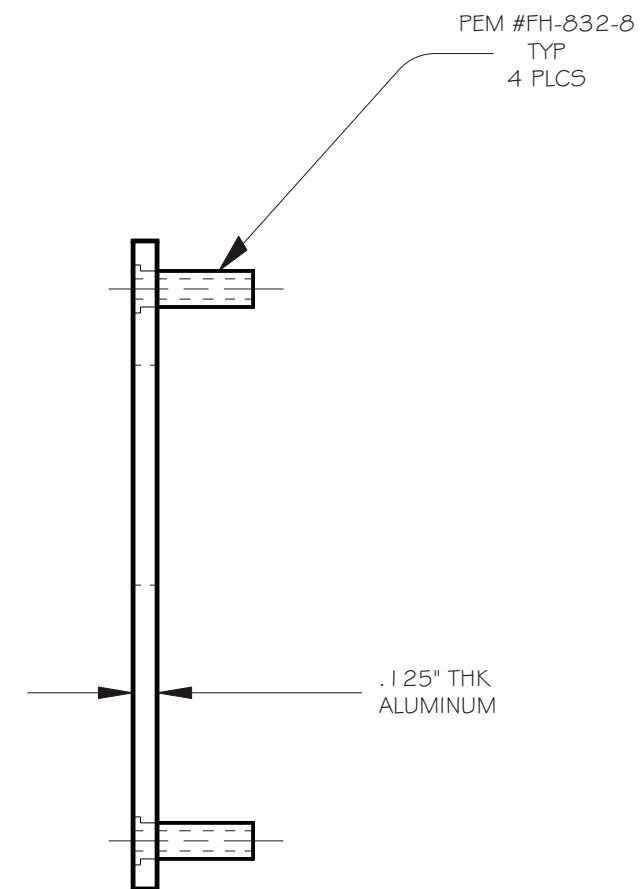
RESTRICT VENTING: INTERNALLY ONLY

CIRCUIT TAIL TO BE TERMINATED WITH BERG CONNECTOR #65801-009

 8080 GRAPHIC DRIVE, BELMONT, MI 49306-9448 PH: (616)866-8880 FAX: (616)866-8882		TOLERANCE	+/- .010
		DO NOT SCALE	
COMPANY		DRWN.BY	PAD
SSi ELECTRONICS		DATE	1-23-07
PART NO.		SAMPLE SWITCH	
PRODUCTION PRINT			



FRONT VIEW



RIDE SIDE VIEW

NOTES:

DEBURR ALL EDGES

FINISH TO BE LUBRICANT FREE

SLOT EDGES TO HAVE MINIMUM RADIUS FRONT AND BACK

SSI **ELECTRONICS, INC.**

8080 GRAPHIC DRIVE, BELMONT, MI 49306-9448
PH: (616)866-8880 FAX: (616)866-8882

COMPANY

SSI ELECTRONICS

PART NO.

SAMPLE SWITCH

TOLERANCE

+/- .010

DO NOT SCALE

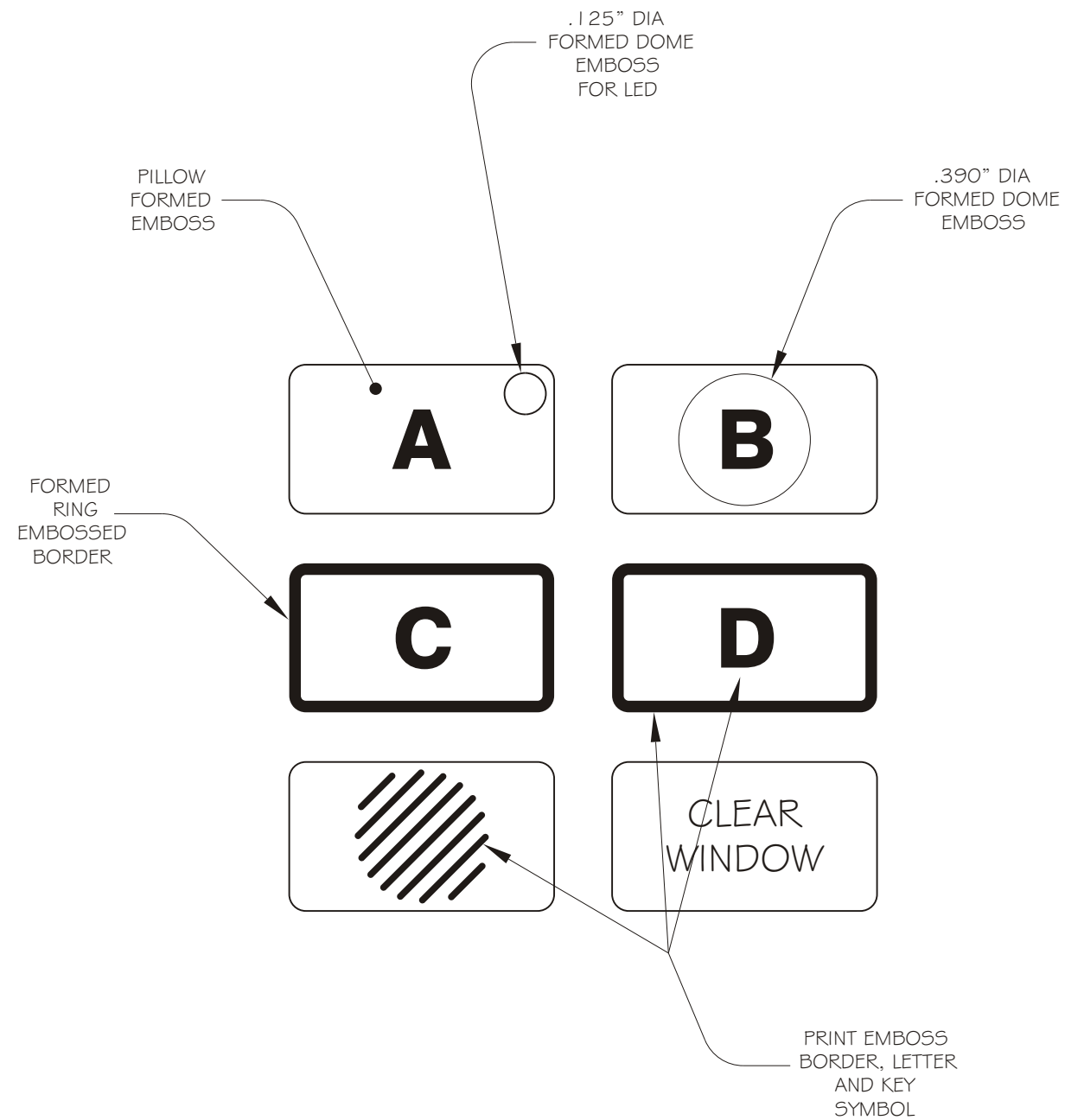
DRWN.BY

PAD

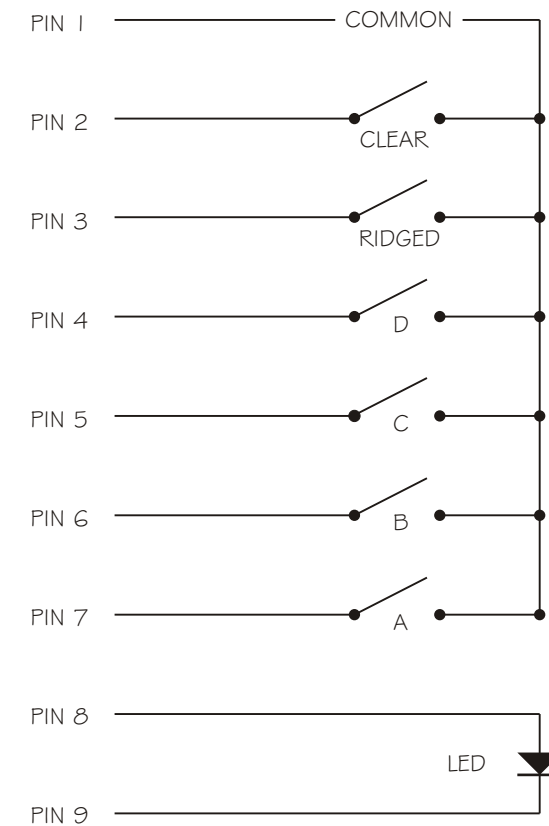
DATE

1-23-07

BACKER PLATE DETAIL



EMBOSS DETAILS



SCHEMATIC DIAGRAM

SSI ELECTRONICS, INC. 8080 GRAPHIC DRIVE, BELMONT, MI 49306-9448 PH: (616)866-8880 FAX: (616)866-8882		TOLERANCE	+/- .010
		DO NOT SCALE	
COMPANY	SSI ELECTRONICS	DRWN.BY	PAD
PART NO.	SAMPLE SWITCH	DATE	1-23-07
KEYPAD DETAILS / SCHEMATIC		3 OF 3	